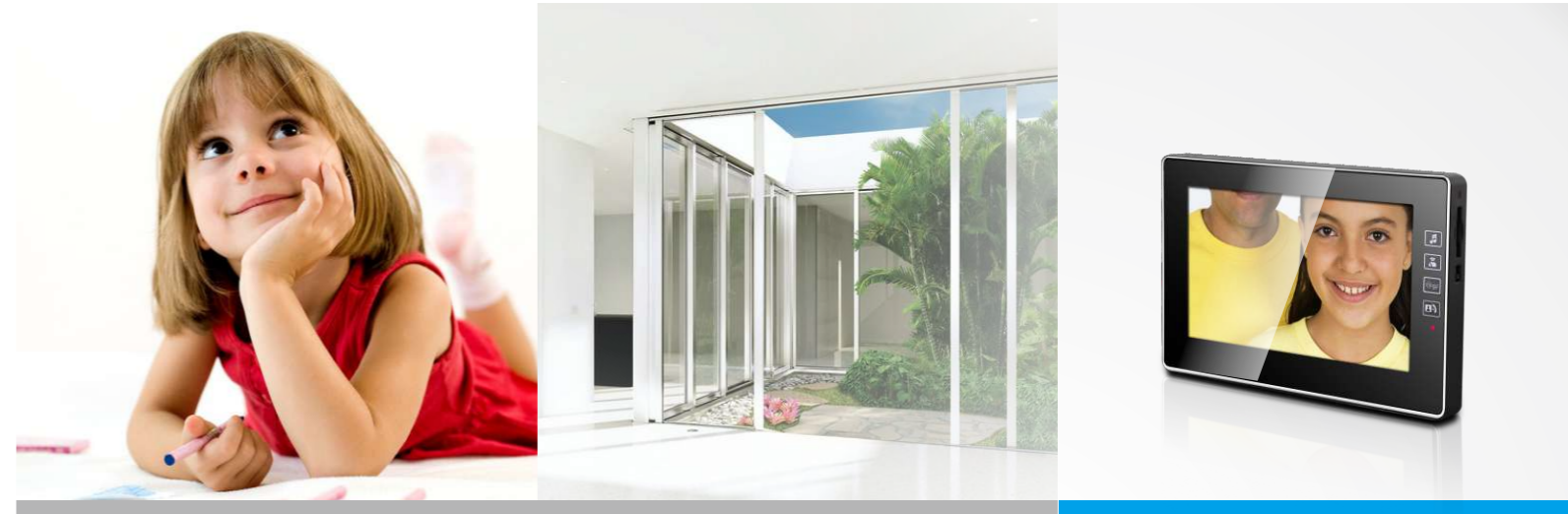


# RONGTAI ELECTRONICS

*Rongtel*<sup>®</sup> Since 1999



*Rongtel*<sup>®</sup> ZHUHAI RONGTAI ELECTRONICS CO.,LTD

ADD: Rongtai Industrial Park, Nanshawan, Qianshan  
Xiangzhou Dist., Zhuhai, Guangdong, China

TEL: +86-756-6279618

FAX: +86-756-6279638

Email: info@rongtel.com

www.rongtel.com

www.accesscontrolmanufacturer.com



FC CE RoHS  

Products herein are subject to change without prior notice

ZHUHAI RONGTAI ELECTRONICS CO.,LTD



# CONTENTS

IP Video Intercom System	<b>01-02</b>	PL960/961	01-02
Wireless Video Intercom System	<b>03-04</b>	PL960WL/MR880WL	03-04
Indoor Monitor	<b>05-18</b>	MR380/390	05-06
		MR560	07-08
		MR570	09-10
		MR280	11-12
		MR270	13-14
		MR880	15-16
Outdoor Station	<b>19-38</b>	MR220	17-18
		PL930	19-20
		PL270	21-22
		PL281	23-24
		PL591	25-26
		PL960/PL961	27-28
		PL591DC4CPDK	29-30
		PL591	31-32
		PL801	33-34
		PL811	35-36
Access Control	<b>39-46</b>	GS230	37-38
		AC220	39-40
		AC230	41-42
		AC240	43-44
Accessories	<b>47-48</b>		
Wiring Diagram	<b>49-54</b>		

# ABOUT US

ZHUHAI RONGTAI ELECTRONICS CO., LTD is a well-known manufacturer in the security industry integrated with research, development, design, production and distribution since 1999. Our main products include villa video door phone system, multi-apartment video door phone system, wireless video door phone system, smart home automation system, and access controls.

RONGTAI, with R&D team of 50 people and 430 skilled staff, is always dedicated to providing customers with top quality products. All RONGTAI products are strictly manufactured according to ISO9001:2008 quality management system, and all products are approved by FCC, CE and RoHS. We always obey the tenet "Technology advancement, Quality first, Customer superiority".

From moulds, SMT, wave-soldering, assembly, testing to packaging, we had established a complete manufacturing system to ensure more than 20,000pcs products are exported every month and delivered to all over the world, mainly to Australia, Europe, America, and Middle-East. Over 50 million users are enjoying our products and service.

Welcome OEM and ODM order from customers all over the world. RONGTAI, are always your professional and reliable partner of security solution!



## Equipments



SMT Machine



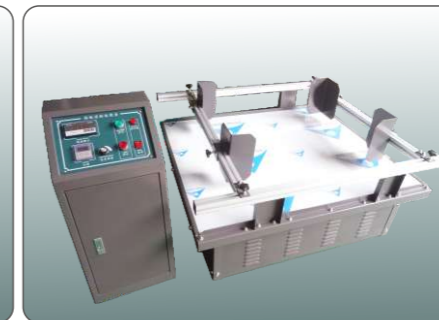
Screen Printing Machine



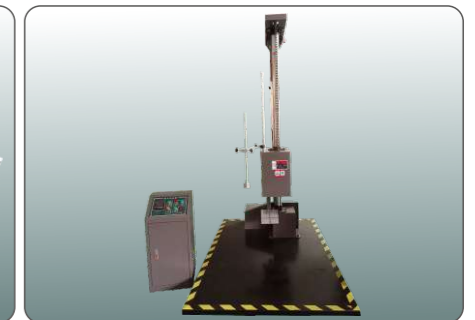
High & Low Temperature Testing Machine



Salt Spray Testing Machines Precision



Transportation Simulation Testing Machine



Drop Testing Machine



Jig and Fixture



LCR Meter



Function Signal Generator

## Certifications



# IP VIDEO INTERCOM SYSTEM

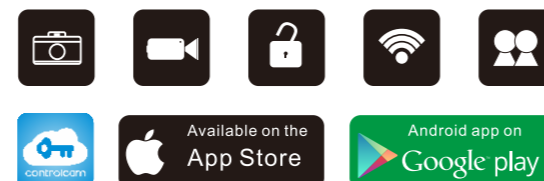
## Description

- ▶ Calling, intercom, unlocking, monitoring
- ▶ In-call ringtone alert
- ▶ Remote unlocking
- ▶ Premium HD video
- ▶ Snapshot & video record
- ▶ Support Android/ iOS devices
- ▶ Wifi enabled or Ethernet RJ45 connector
- ▶ 67 independent servers all over the world
- ▶ Multiple users
- ▶ Night vision
- ▶ Code access for option



## Specification

Working Temperature	-25°C~65 °C
Installation	Surface mounted/Flush mounted
Minimal illumination	0.1 Lux



## Features



### Works From Anywhere

Whether you're in the kitchen, or travel around the world, you'll always be able to answer your door from palm of your hand. It even works when your phone is roaming on 3G./4G networks.



### Support Multiple Devices

Support up to 4 users with smart phones or tablets to be connected to one outdoor station. When you have a visitor, outdoor station will simultaneously ring.



### Weather Resistant

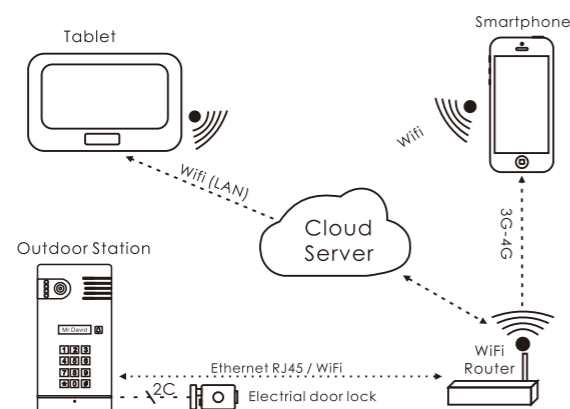
Outdoor approved and built to withstand humidity rain, sleet, snow, ice and extreme heat.



### Quick & Easy Install

Have your door station mounted in 3 minutes, simply to connect smart phones or tables to your outdoor station within 2 minutes.

## Wiring Diagram



No matter where you are, even away from home, you can watch and control your door with your smart phone.

# WIRELESS VIDEO INTERCOM SYSTEM

## Description

- ▶ 935 solution Wireless connection
- ▶ 2.4G Hz, allow 150 meters in free filed
- ▶ Snapshot , video,calling,monitoring,unlocking
- ▶ Brush finished silver outdoor with raincover (IP55)
- ▶ 7 inch supper slim screen design
- ▶ Premium HD video
- ▶ Nightlight compensation

## Specification

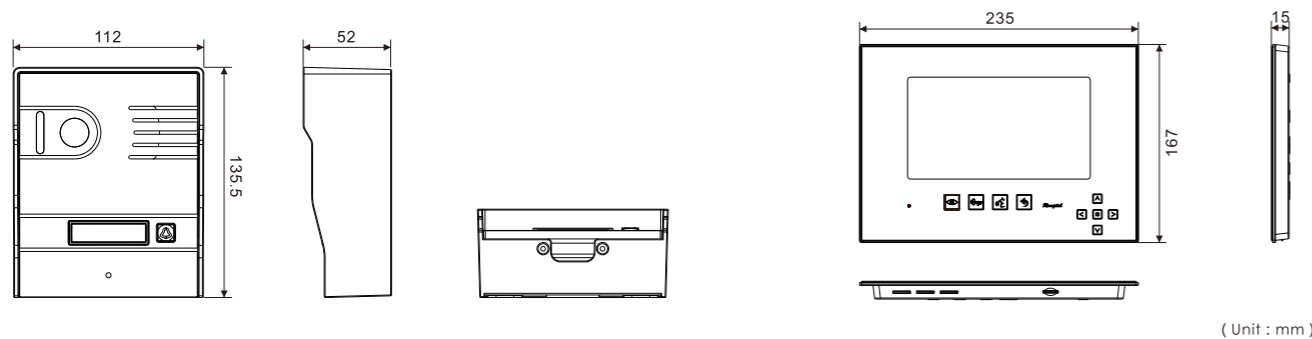
PL960WL	
Working Temperature	-25°C~65 °C
Installation	Surface mounted
Minimal illumination	0.1 Lux
Input voltage	12V, 1A
Dimension	112×135.5×52(mm)

MR880WL	
Display screen	7" TFT-LCD
Pixel	1440X234
Working Temperature	-10°C~50°C
Installation	Surface mounted
Input voltage	12V, 1A
Dimension	235×167×15(mm)

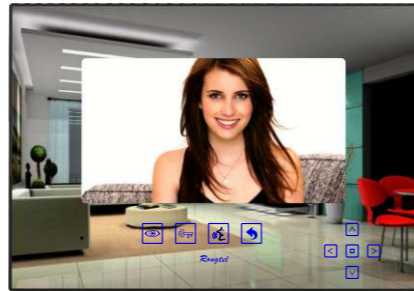
## Features

- 935 solution
- 640\*480TV Line camera
- Picture memory, video and sound recording
- Duplex way communication
- Low power consumption
- 4 Windows display
- High speed transmission 24DB
- 7 inch tempered glass mirror effect monitor

## Product Views



Outdoor station: PL960WL



Indoor monitor: MR880WL



# MR380/390 Indoor Monitor

INDOOR MONITOR



## 7 inch TFT-LCD indoor monitor

- ▶ High resolution TFT-LCD screen
- ▶ Surface mounted
- ▶ Acrylic casing
- ▶ Backlit touch button
- ▶ Super slim design
- ▶ MR390C4Q: Touch screen with memory function

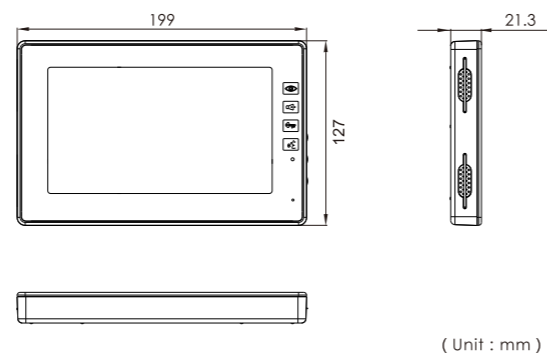
## Specification

- ▶ Touch button operation
- ▶ Talking, unlocking, monitoring
- ▶ For option: call-transfer, picture memory and video recording.
- ▶ Built-in 8 alarm zones

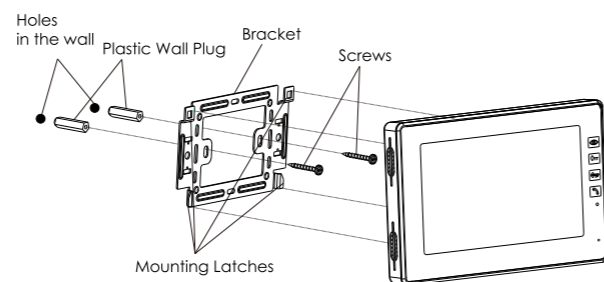
<b>Display screen</b>	7" TFT-LCD
<b>Pixel</b>	1440X234
<b>Working temperature</b>	-10°C ~ 50°C
<b>Installation</b>	Surface mounted
<b>Dimension</b>	199×127×21 (mm)

System	Model No.	Color	Remark
2 wires villa system	MR380C2	White/Black	
4 wires villa system	MR380C4	White/Black	
4 wires villa system	MR380C4S/390C4Q	White/Black	memory function
4 +2 wires building system	MR380C4C	White/Black	
CAT5 one cable system	MR380C4C	White/Black	

## Dimension



## Installation



# MR560 Indoor Monitor



INDOOR MONITOR

## 7 inch TFT-LCD indoor monitor

- ▶ High resolution TFT-LCD screen
- ▶ Surface mounted
- ▶ Acrylic casing
- ▶ Backlit touch buttons

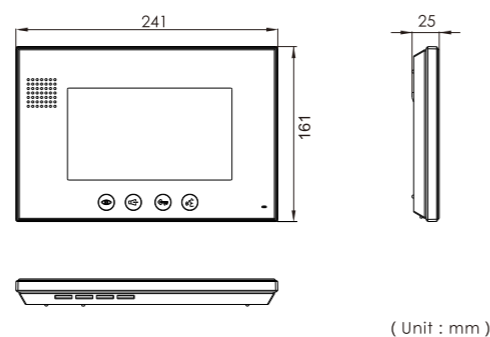
## Specification

- ▶ Touch button operation
- ▶ Talking, unlocking, monitoring
- ▶ For option: call-transfer, picture memory and video recording.
- ▶ Built-in 8 alarm zones

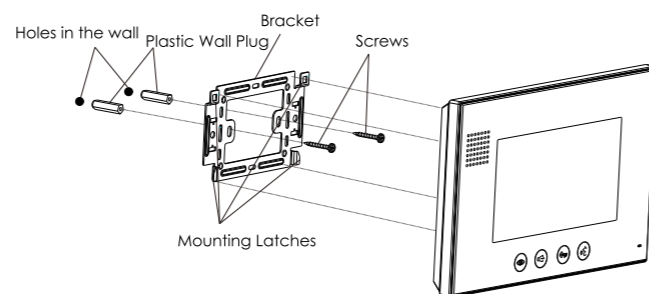
<b>Display screen</b>	7" TFT-LCD
<b>Pixel</b>	1440X234
<b>Working temperature</b>	-10°C ~ 50°C
<b>Installation</b>	Surface mounted
<b>Dimension</b>	241×161×25(mm)

System	Model No.	Color	Remark
2 wires villa system	MR560C2	White/Black	
4 wires villa system	MR560C4	White/Black	
4 wires villa system	MR560C4S	White/Black	memory function
4 +2 wires building system	MR560C4C	White/Black	8 alarm zones
CAT5 one cable system	MR560C4C	White/Black	8 alarm zones

## Dimension



## Installation



# MR570 Indoor Monitor



INDOOR MONITOR

## 7 inch HD indoor monitor

- ▶ High resolution TFT-LCD screen
- ▶ Surface mounted
- ▶ Acrylic casing
- ▶ Backlit touch buttons

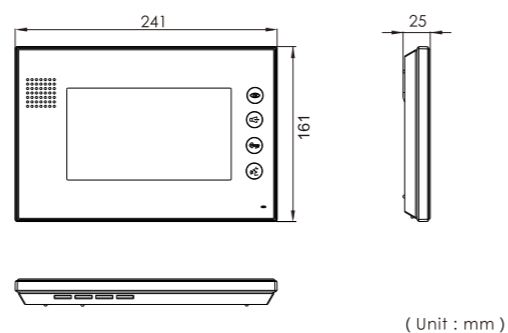
## Specification

- ▶ Touch button operation
- ▶ Talking, unlocking, monitoring
- ▶ For option: call-transfer, picture memory and video recording
- ▶ Built-in 8 alarm zones

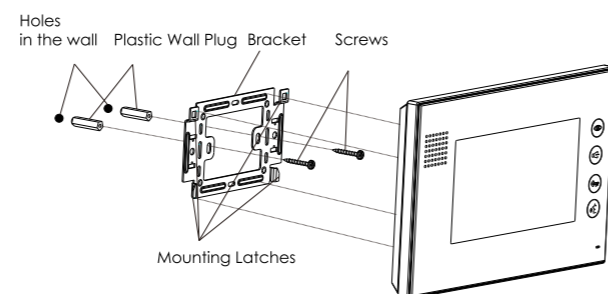
Display screen	7" TFT-LCD
Pixel	1440X234
Working temperature	-10°C ~ 50°C
Installation	Surface mounted
Dimension	241×161×25(mm)

System	Model No.	Color	Remark
2 wires villa system	MR570C2	White/Black	
4 wires villa system	MR570C4	White/Black	
4 wires villa system	MR570C4S	White/Black	memory function
4 +2 wires building system	MR570C4C	White/Black	8 alarm zones
Cat5 one cable system	MR570C4C	White/Black	8 alarm zones

## Dimension



## Installation





# MR280 Indoor Monitor



INDOOR MONITOR



## 4.3 inch thin indoor monitor

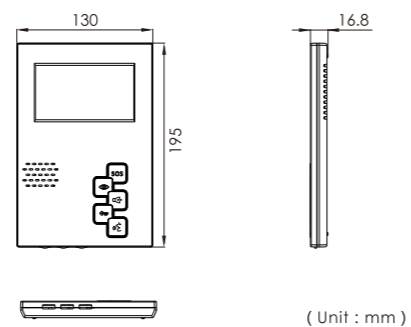
- ▶ TFT-LCD screen
- ▶ Innovative buttons design
- ▶ Acrylic casing

## Specification

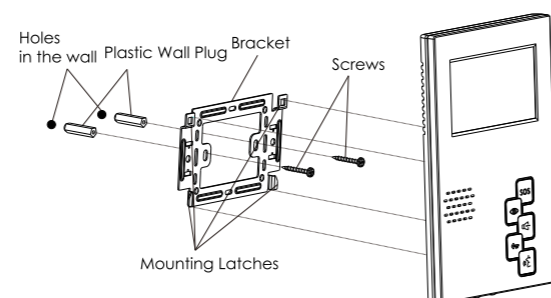
- ▶ Buttons operation
- ▶ Talking, unlocking, monitoring
- ▶ For option: call-transfer, picture memory and video recording
- ▶ Built-in SOS alarm

<b>Display screen</b>	4.3" TFT-LCD
<b>Pixel</b>	320X240
<b>Working temperature</b>	-10°C ~ 50°C
<b>Installation</b>	Surface mounted
<b>Dimension</b>	195×130×16.8(mm)

## Dimension



## Installation



System	Model No.	Color	Remark
4 wires villa system	MR280C4	White/Black	
4 +2 wires building system	MR280C4C	White/Black	5 alarm Zones
CAT 5 one cable system	MR280C4C	White/Black	5 alarm Zones

# MR270 Indoor Monitor



INDOOR MONITOR



## 4 inch HD indoor monitor

- ▶ HD TFT-LCD screen
- ▶ Acrylic casing

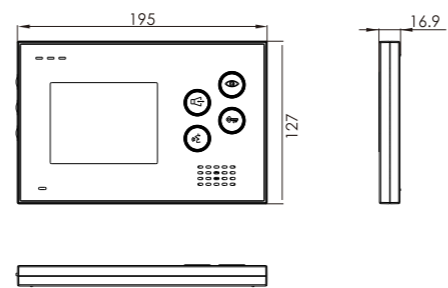
## Specification

- ▶ Buttons operation
- ▶ Talking, unlocking, monitoring
- ▶ For option: call-transfer

<b>Display screen</b>	4" TFT-LCD
<b>Pixel</b>	320X240
<b>Working temperature</b>	-10°C ~ 50°C
<b>Installation</b>	Surface mounted
<b>Dimension</b>	195×127×17(mm)

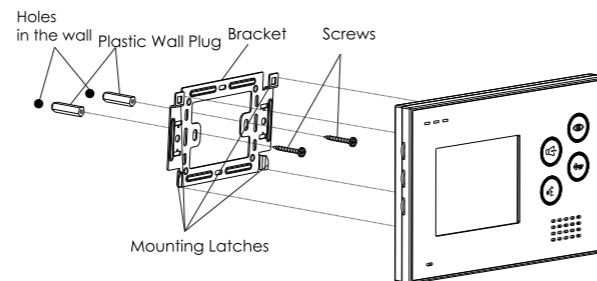
System	Model No.	Color	Remark
4 wires villa system	MR270C4	White/Black	
4 +2 wires building system	MR270C4C	White/Black	
CAT5 one cable system	MR270C4C	White/Black	

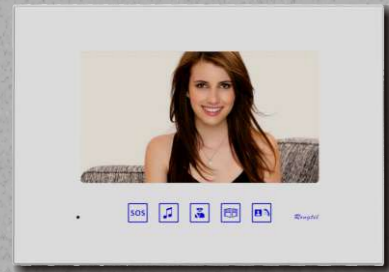
## Dimension



(Unit : mm)

## Installation





## 7 inch mirror indoor monitor

- ▶ High resolution TFT-LCD screen
- ▶ Surface mounted
- ▶ Toughened glass casing
- ▶ Blue backlight touch buttons

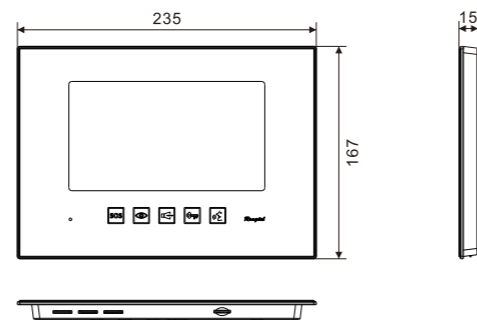
## Specification

- ▶ Touch button operation
- ▶ Talking, unlocking, monitoring
- ▶ For option: call-transfer

<b>Display screen</b>	7" TFT-LCD
<b>Pixel</b>	1440X234
<b>Working Temperature</b>	-10°C ~ 50°C
<b>Installation</b>	Surface mounted
<b>Dimension</b>	235×167×15(mm)

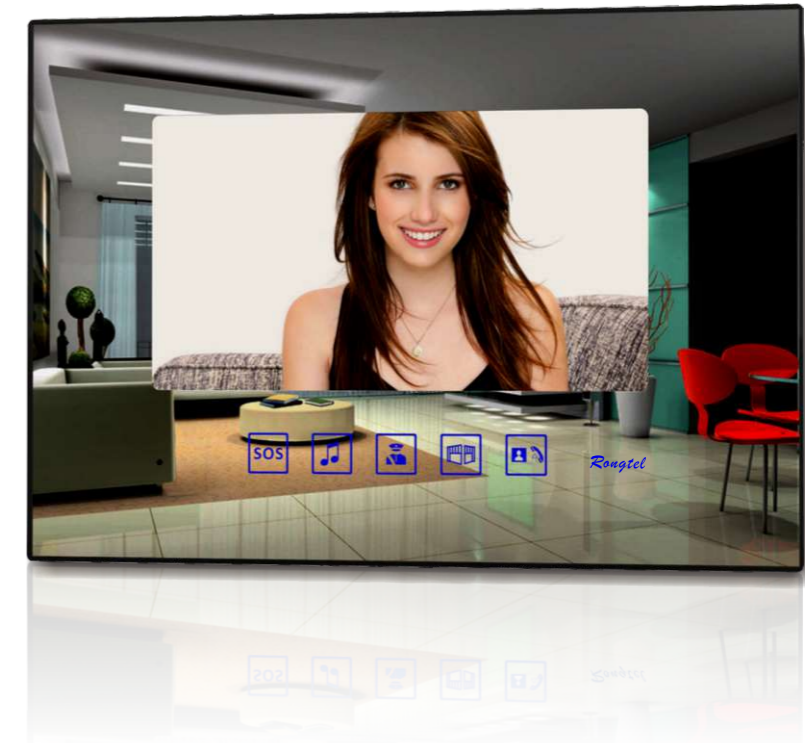
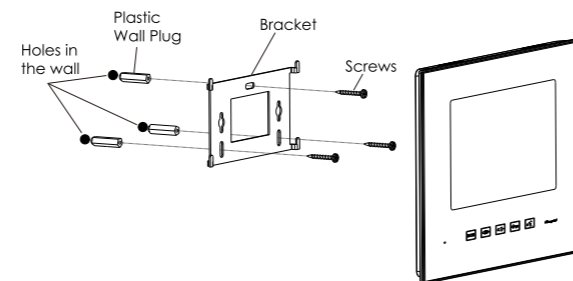
System	Model No.	Color
2 wires villa system	MR880C2	White/Black
4 wires villa system	MR880C4	White/Black
4 +2 wires building system	MR880C4C	White/Black
Cat5 one cable system	MR880C4C	White/Black

## Product Views



( Unit : mm )

## Installation





## Patented Audio handset

- ▶ ABS plastic panel
- ▶ Simple but elegant design
- ▶ Button operation

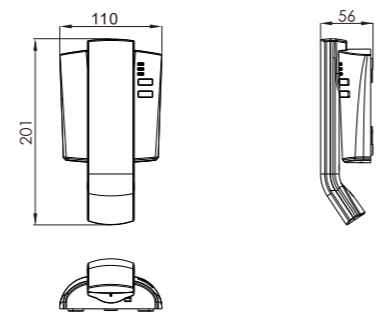
## Specification

- ▶ ABS plastic panel
- ▶ Button operation
- ▶ Talking, unlocking and call-transfer functions

<b>Working Temperature</b>	-10°C ~ 50°C
<b>Installation</b>	Surface mounted
<b>Dimension</b>	201×110×56 (mm)

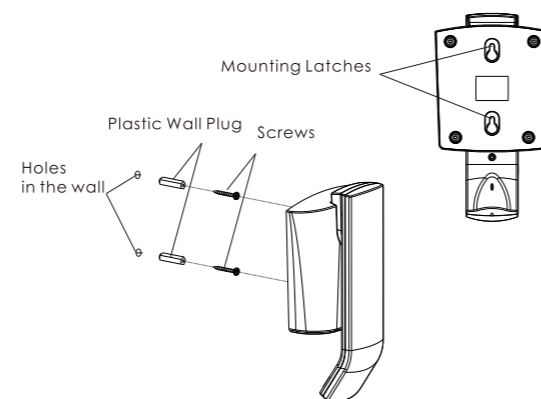
System	Model No.	Color
2 wires villa system	MR220N2	White
4 wires villa system	MR220N3	White
2 wires building system	MR220N2B	White
4+2 wires building system	MR220N4	White
CAT5 one cable system	MR220N4	White

## Dimension



( Unit : mm )

## Installation





### Slim outdoor station with rain cover

- ▶ High-quality aluminum alloy panel
- ▶ Simple but fashion design
- ▶ With rain cover, angular for option
- ▶ One button calling/talking
- ▶ Waterproof, dustproof, anti-vandal design

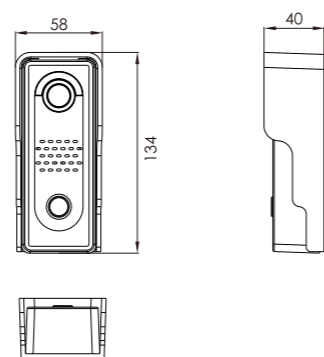
### Specification

- ▶ Built-in HD color vision camera
- ▶ Built-in speaker and microphone
- ▶ Night light compensation
- ▶ One button calling/talking
- ▶ Can work as second confirm outdoor station

<b>Working temperature</b>	-25°C~65°C
<b>Installation</b>	Surface mounted
<b>Dimension</b>	58×134×40(mm)
<b>Net weight</b>	350g

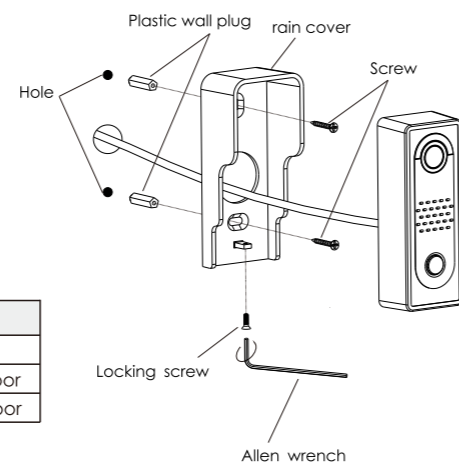
System	Model No.	Color	Remark
4 wires villa system	PL930C4	Silver/Black	
4+2 wires building system	PL930C4C	Silver/Black	Second confirm outdoor
Cat5 one cable system	PL930C4C	Silver/Black	Second confirm outdoor

### Product Views



( unit : mm )

### Installation



# PL270 outdoor station

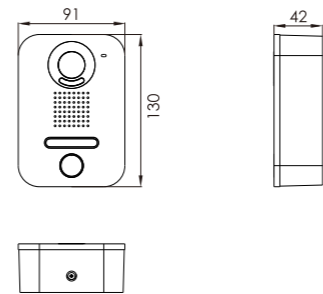


OUTDOOR STATION

## Outdoor station with adjustable camera

- ▶ Adjustable camera
- ▶ Nameplate with blue backlight
- ▶ 420TV lines HD color camera
- ▶ One button operation
- ▶ Waterproof, dustproof, anti-vandal design

## Product Views

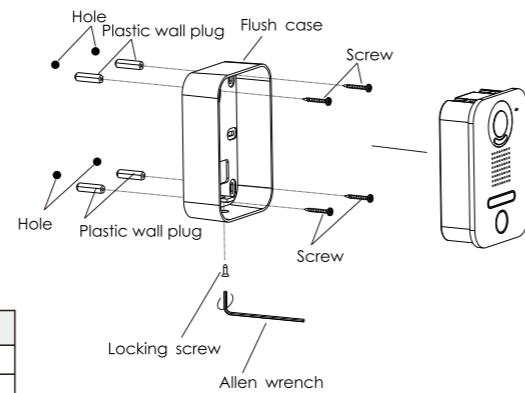


(unit : mm)

## Specification

- ▶ Night light compensation
- ▶ Can work as second confirm outdoor station

## Installation



<b>Working temperature</b>	-25°C~65°C
<b>Installation</b>	Surface mounted
<b>Dimension</b>	91×130×42 (mm)
<b>Net weight</b>	430g

System	Model No.	Color	Remark
2 wires villa system	PL270C2	Silver/Black	
4 wires building system	PL270C4	Silver/Black	
4+2 wires building system	PL270C4C	Silver/Black	Second confirm outdoor
Cat5 one cable System	PL270C4C	Silver/Black	Second confirm outdoor

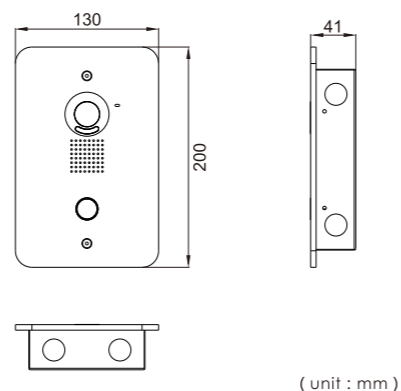


OUTDOOR STATION

### Outdoor station with adjustable camera

- ▶ Aluminum alloy panel
- ▶ Simple but fashion design
- ▶ Flush mounted, save space
- ▶ 420TV lines HD color camera
- ▶ One button calling/talking
- ▶ Waterproof, dustproof, anti-vandal design

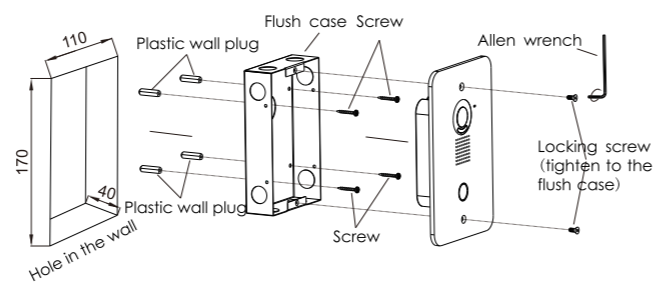
### Product Views



### Specification

- ▶ Built-in HD camera
- ▶ Built-in speaker and microphone
- ▶ Night light compensation
- ▶ One button calling/talking

### Installation



<b>Working temperature</b>	-25°C~65°C
<b>Installation</b>	Flush mounted
<b>Dimension</b>	130×200×41 (mm)

System	Model No.	Color	Remark
2 wires villa system	PL281C2	Silver	
4 wires building system	PL281C4	Silver	
4+2 wires building system	PL281C4C	Silver	
Cat5 one cable system	PL281C4C	Silver	Second confirm outdoor

# PL591 outdoor station



OUTDOOR STATION

## Outdoor station with code access

- ▶ High quality aluminum
- ▶ Waterproof, anti-vandal and durable
- ▶ Code access
- ▶ Buttons with blue backlight

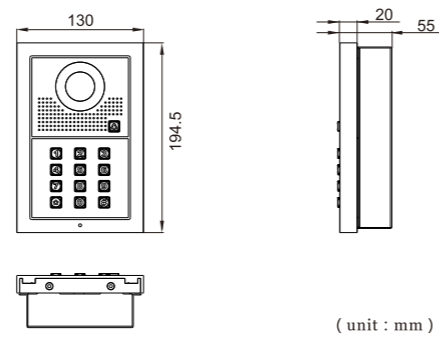
## Specification

- ▶ Built-in color vision camera
- ▶ Built-in speaker and microphone
- ▶ Night light compensation
- ▶ One button calling /talking

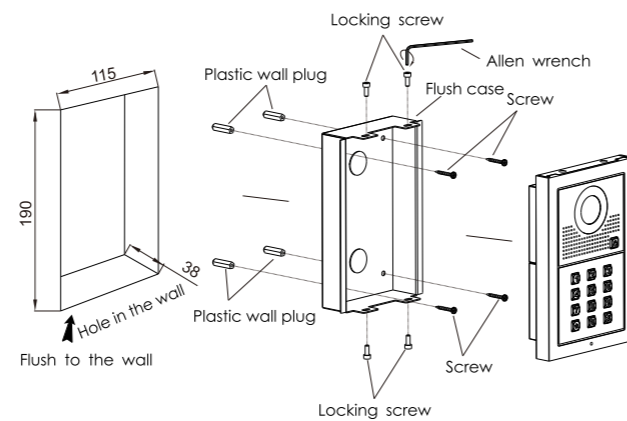
<b>Working temperature</b>	-25°C~65°C
<b>Installation</b>	Flush mounted
<b>Minimum illumination</b>	0.1Lux
<b>Dimension</b>	130×194×55 (mm)

System	Model No.	Color	Remark
4 wires villa system	PL591B4CP	Silver	

## Product Views



## Installation





# PL960/PL961 outdoor station



## Digital outdoor station

- ▶ Aluminum alloy panel
- ▶ Brush finished silver
- ▶ Nameplate (or keypad) with blue backlight
- ▶ Waterproof, anti-vandal and durable
- ▶ Code access for option

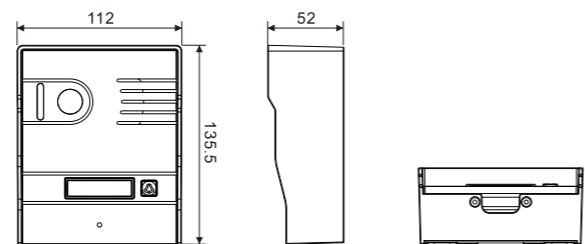
## Specification

- ▶ Built-in HD camera
- ▶ Built-in speaker & microphone
- ▶ Code access for option
- ▶ One or two call buttons for option
- ▶ Press button or touch button for option

<b>Working temperature</b>	-25°C~65°C
<b>Installation</b>	Surface mounted/Flush mounted
<b>Minimum illumination</b>	0.1Lux
<b>Dimension</b>	112×135.5×52 (mm)

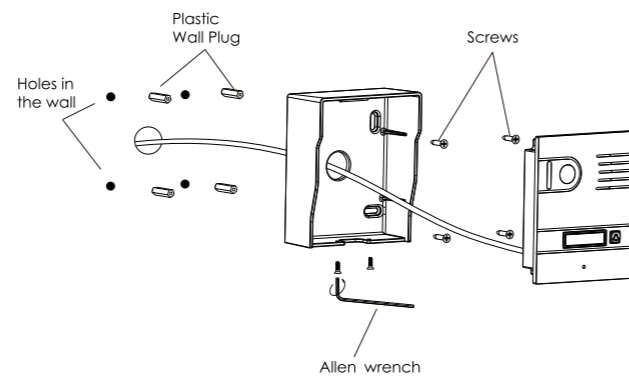
System	Model No.	Color	keypad
4 wires villa system	PL960C4P	Silver	With
4 wires villa system	PL960C4QP	Silver	With
4 wires villa system	PL961C4P	Silver	With
4 wires villa system	PL960C4	Silver	Without

## Product Views



(unit : mm)

## Installation



OUTDOOR STATION



PL960C4  
112X135.5X52mm



PL960C4QP  
105X210X38mm

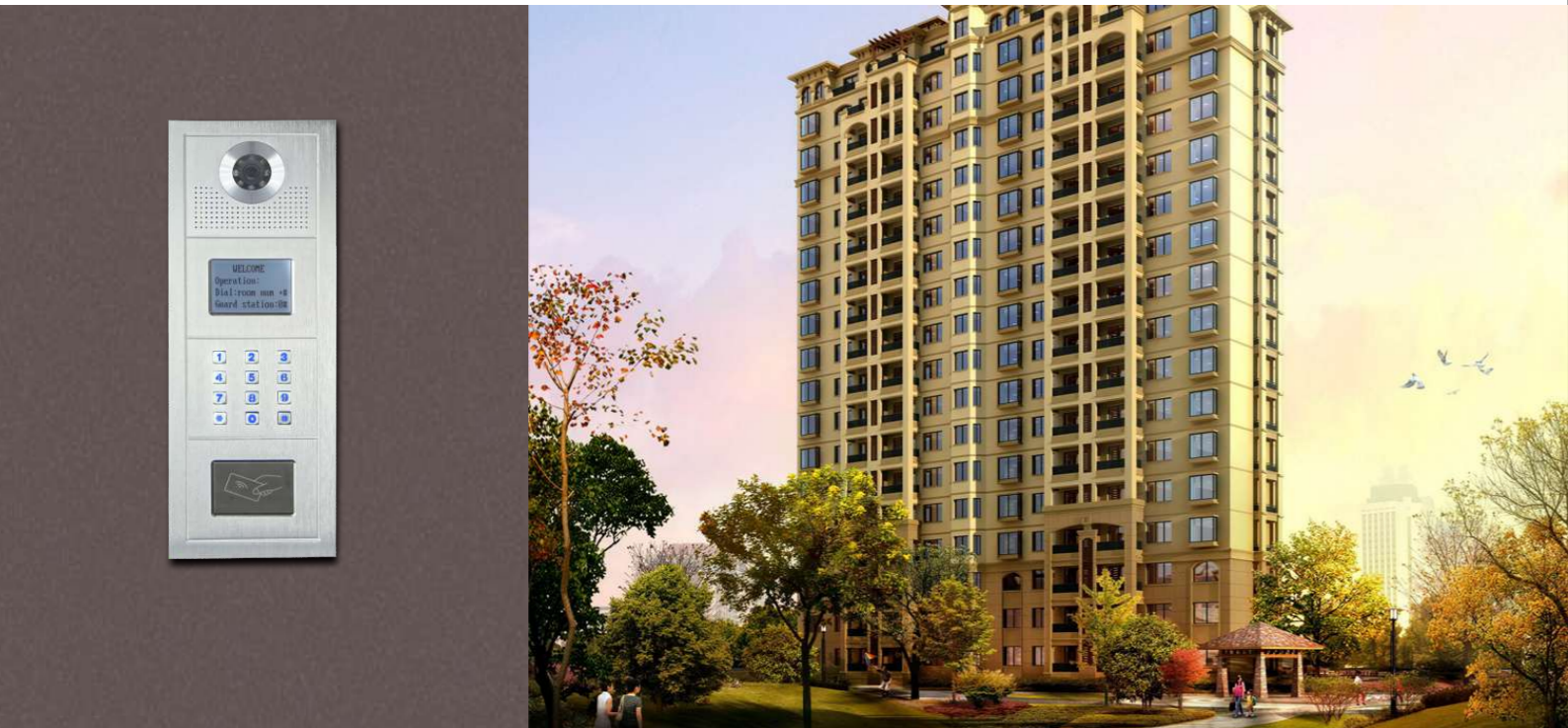


PL960C4P  
105X210X38mm



PL961C4P  
130X235X40mm

# PL591DC4CPDK outdoor station



## Digital outdoor station

- ▶ Waterproof, anti-vandal and durable aluminum
- ▶ Code access/ID card access
- ▶ Keypads with blue backlight
- ▶ Code access and disarm indoor monitor at the same time

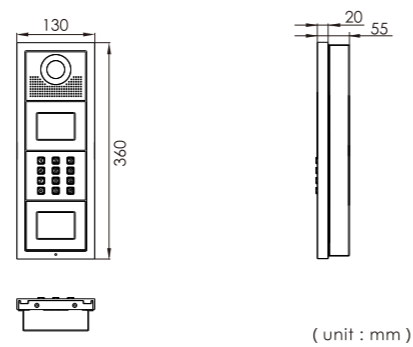
## Specification

- ▶ HD CCD camera
- ▶ Support network with administration center
- ▶ Intercom with guard station
- ▶ Can work as wall outdoor station, building outdoor station, or Multi-entrance outdoor station

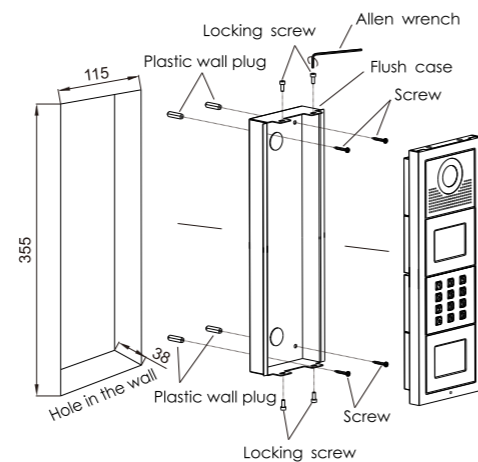
<b>Working Temperature</b>	-25°C~65°C
<b>Installation</b>	Flush mounted
<b>Minimum illumination</b>	0.1Lux
<b>Dimension</b>	130×350×55 (mm)

System	Model No.	Material	Keypad
4+2 wires building system	PL591DC4CPDK	Aluminum	With
Cat5 one cable system	PL591DC4CPDK	Aluminum	With

## Product Views



## Installation



OUTDOOR STATION



# PL591 outdoor station

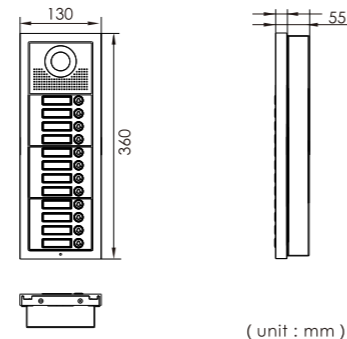


OUTDOOR STATION

## Direct-call outdoor station

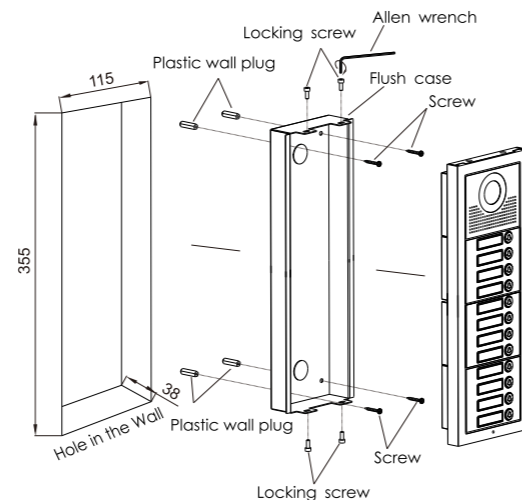
- ▶ High quality aluminum alloy/stainless panel
- ▶ Easy direct-press buttons operation
- ▶ Nameplates and buttons with blue backlight
- ▶ Waterproof, vandal proof and durable

## Product Views



(unit : mm)

## Installation



## Specification

- ▶ HD CCD camera
- ▶ Night light compensation
- ▶ Support different apartments
- ▶ Support 1~28 apartments

<b>Working Temperature</b>	-25°C~65°C
<b>Installation</b>	Surface mounted
<b>Minimum illumination</b>	0.1Lux

System	Model No.	Material
4 wires villa system	PL591XC4(X)	Aluminum/stainless
4+2 wires building system	PL591XC4C(X)	Aluminum/stainless
CAT 5 one cable system	PL591XC4C(X)	Aluminum /stainless



Aluminum(1~28 apartments)



Stainless steel(1~4 apartments)

# PL801 outdoor station

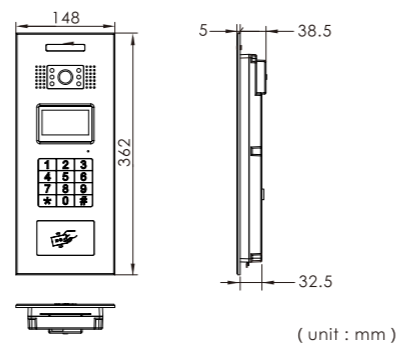


OUTDOOR STATION

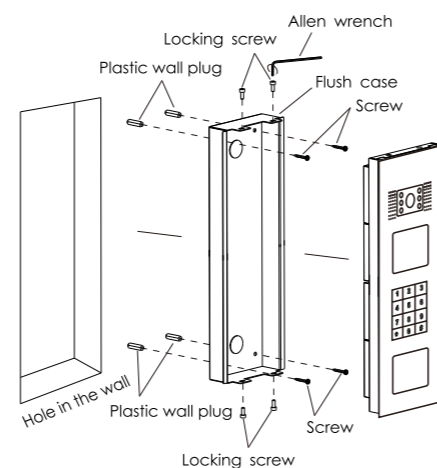
## Outdoor station with metal touch keypad

- ▶ Waterproof, anti-vandal and durable
- ▶ Code access/ID cards access
- ▶ Metal touch keypads with blue backlight
- ▶ Code access and disarm at the same time

## Product Views



## Installation



## Specification

- ▶ HD CCD camera
- ▶ Code access/ID card access
- ▶ Network with guard station
- ▶ Can work as wall outdoor station, building outdoor station, or multi-entrance outdoor station

<b>Working temperature</b>	-25°C~65°C
<b>Installation</b>	Flush mounted
<b>Minimum illumination</b>	0.1 Lux
<b>Dimension</b>	148x362x43.5(mm)

System	Model No.	Material	Keypad
4+2 wires building system	PL801DC4CPDK	aluminum alloy	With
Cat5 one cable system	PL801DC4CPDK	aluminum alloy	With



## Digital building outdoor station

- ▶ Metal touch keypads with blue backlight
- ▶ 7inch high resolution LCD screen
- ▶ Code access/ID cards access
- ▶ Waterproof, anti-vandal, strong and durable

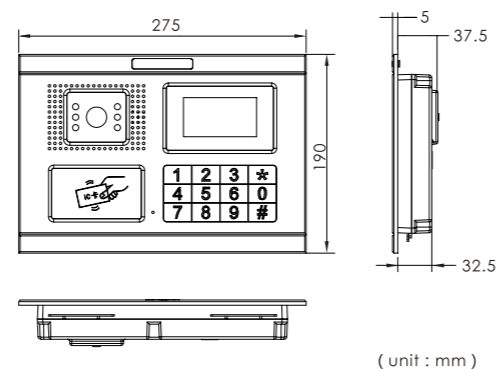
## Specification

- ▶ Built-in HD camera
- ▶ Code / ID card access
- ▶ Connect with management center
- ▶ Can work as wall outdoor station, building outdoor station, or multi-entrance outdoor station

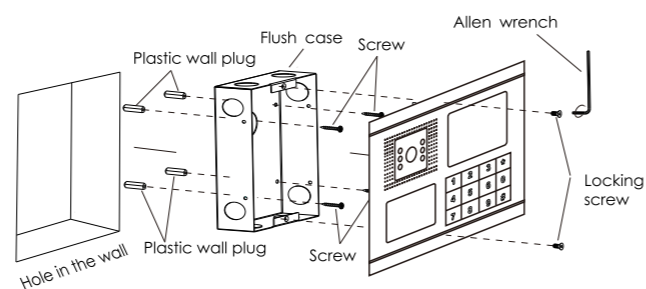
<b>Working temperature</b>	-25°C~65°C
<b>Installation</b>	flush mounted
<b>Minimum illumination</b>	0.1Lux
<b>Dimension</b>	275x190x43(mm)

System	Model No.	Material	Keypad
4+2 wires building system	PL811DC4CPDK	aluminum alloy	With
Cat5 one cable system	PL811DC4CPDK	aluminum alloy	With

## Product Views



## Installation



# GS230C4C Guard station



## Guard station for building system

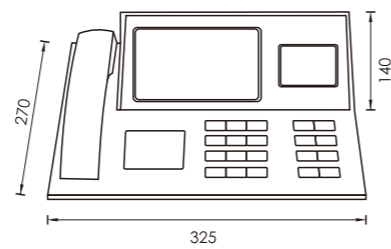
- ▶ 7inch TFT screen
- ▶ Calling/talking with indoor monitor
- ▶ Monitoring outdoor station
- ▶ DIY installation
- ▶ Alarm/adding user cards/unlocking

## Specification

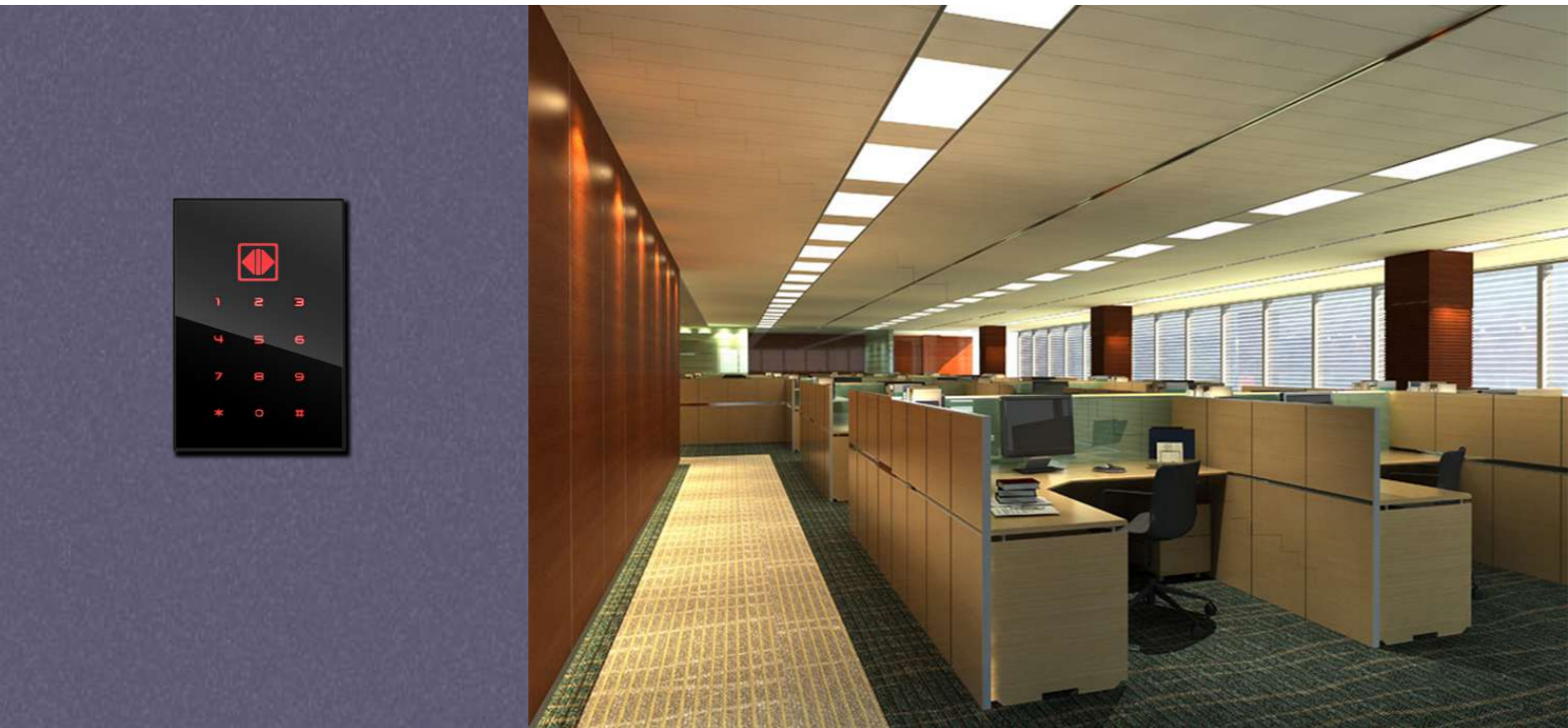
- ▶ Built-in speaker & microphone
- ▶ Code access
- ▶ Information release

<b>Working temperature</b>	-25°C~65°C
<b>Installation</b>	Surface mounted
<b>Resolution</b>	1440x234
<b>Voltage input</b>	12V

## Product Views



(unit : mm)



## Access control with touch keypad

- ▶ ABS plastic panel
- ▶ Blue, red, white backlit keypad for option
- ▶ Touch keypad operation
- ▶ Waterproof
- ▶ Built-in EM reader

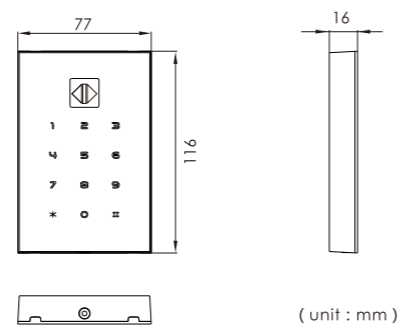
## Specification

- ▶ Capacity: 1000 ID cards and 1000 codes
- ▶ 2-6 digits code
- ▶ Doorbell and unlocking delay function

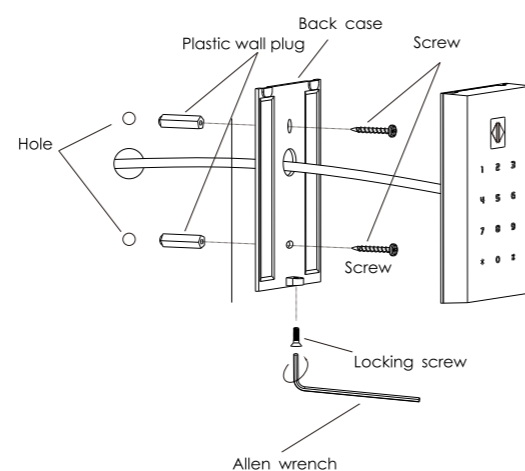
<b>Working temperature</b>	-25°C~65°C
<b>Installation</b>	Surface mounted
<b>IP grade</b>	IP67
<b>Card type</b>	EM 125 KHz ID card
<b>Dimension</b>	72×111×16 (mm)

System	Model No.	Color	Remark
Stand-alone	AC220SADK	Silver	
Network	AC220WDK	Silver	

## Product Views



## Installation





## Metal access control with

- ▶ High quality Die-cast die-cast zinc alloy
- ▶ Keypad with LED back light
- ▶ Equisite appearance , fashion design
- ▶ Waterproof and anti-vandal design
- ▶ Built-in EM reader

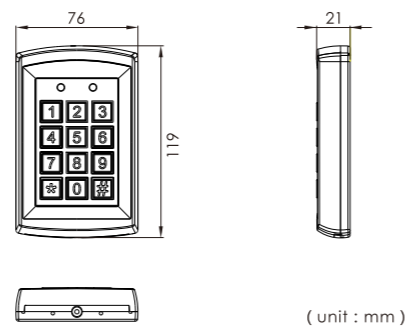
## Specification

- ▶ Capacity: 1010 ID cards and 1010 codes
- ▶ Siren output
- ▶ 2-6 digits code
- ▶ Pickproof , doorbell and unlocking delay function

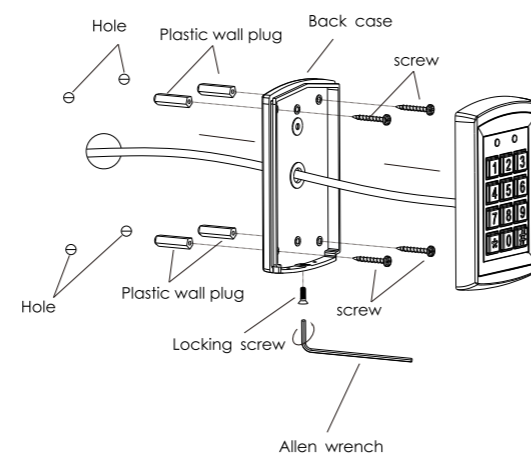
<b>Working temperature</b>	-30°C~70°C
<b>Installation</b>	Surface mounted
<b>IP grade</b>	IP67
<b>Card type</b>	EM 125 KHz ID card
<b>Dimension</b>	76×119×21 (mm)

System	Model No.	Color	Remark
Stand-alone	AC230SADK	Silver	
Network	AC230WDK	Silver	

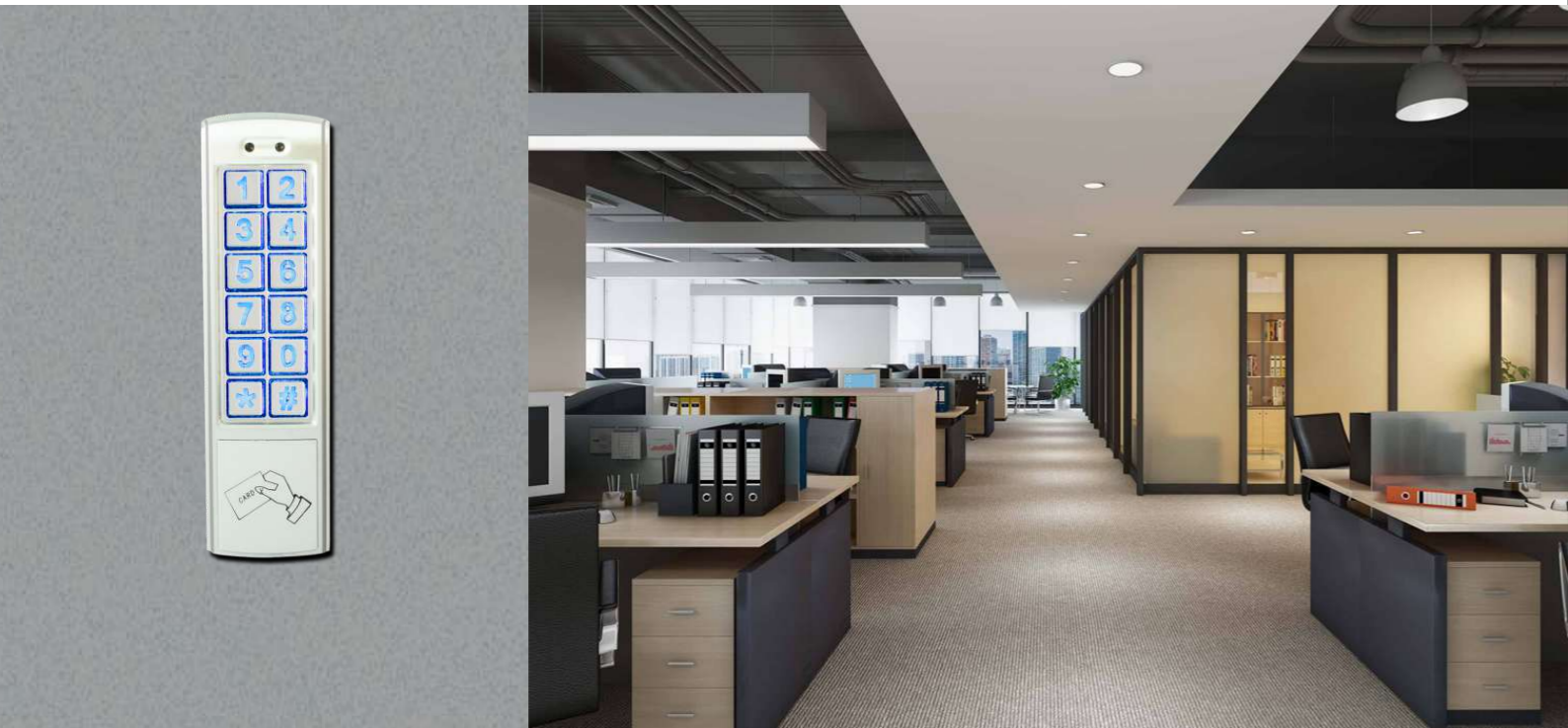
## Product Views



## Installation







## Metal Access Control

- ▶ High quality Die-cast zinc alloy
- ▶ Keypad with LED backlight
- ▶ Equisite appearance, fashion design
- ▶ Waterproof, and anti-vandal design
- ▶ Built-in EM reader

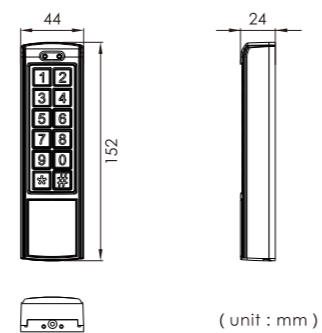
## Specification

- ▶ Capacity: 1010 ID cards and 1010 codes
- ▶ Siren output
- ▶ 2-6 digits code
- ▶ Pickproof, doorbell and unlocking delay function

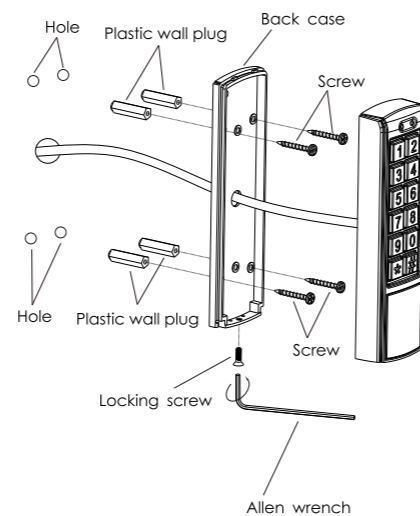
<b>Working Temperature</b>	-30°C~70°C
<b>Installation</b>	Surface mounted
<b>IP grade</b>	IP67
<b>Card type</b>	EM 125 KHz ID card
<b>Dimension</b>	44×150×24 (mm)

System	Model No.	Color	Remark
Stand-alone	AC240SADK	Silver	
Network	AC240WDK	Silver	

## Product Views



## Installation





## Smartphone Access Control

- ▶ Built-in wifi and server
- ▶ Three ways unlocking: App unlocking under wifi/ password unlocking/key unlocking
- ▶ Control two door locks (2 zones relays)
- ▶ Support network management

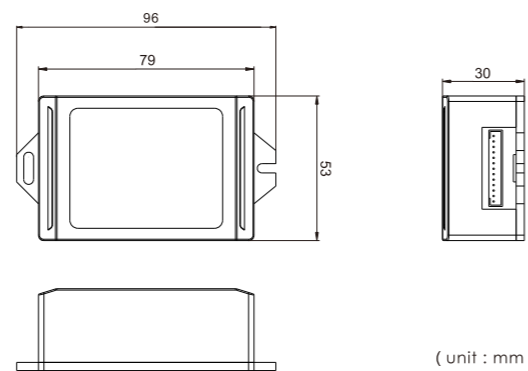
## Specification

- ▶ Capacity: Zone 1: up to 30,000 users  
Zone 2: up to 100 users
- ▶ Store 30,000 pcs unlocking records
- ▶ DIY installation
- ▶ Multiple users and password protection
- ▶ Support Android /iOS device

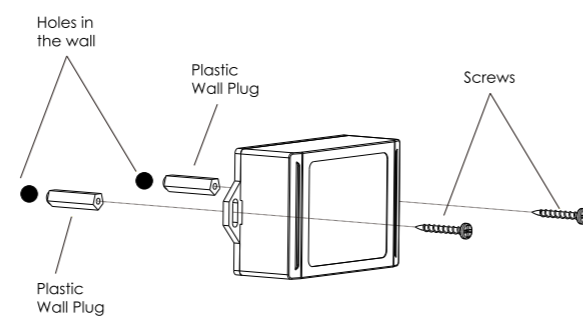
<b>Working temperature</b>	-30°C~70°C
<b>Installation</b>	Surface mounted
<b>Dimension</b>	96×53×30 (mm)
<b>Input voltage</b>	AC/DC 12V~24V

System	Model No.	Color	Remark
Stand-alone	AC260M	White	

## Product Views



## Installation





### CS220

Short Circuit Protector  
Support 4-way indoor phones  
Working Voltage : 15V  
Working Temperature : -25°C~65°C  
Installation : surface mounted  
Dimension : 160x105x36(mm)



### PM220

Picture Memory Unit  
Capacity: 1000pcs photos and 4000pcs messages  
Working Voltage : 18V  
Working Temperature : -25°C~65°C  
Installation : surface mounted  
Dimension : 160x105x36(mm)



### MU220

Multi-entrance Connector  
Support 4 outdoor stations  
Working Voltage : 15V  
Working Temperature : -25°C~65°C  
Installation : surface mounted  
Dimension : 160x105x36(mm)



### SP26

DIN Rail Power Supply  
Input Voltage: 100V~240V  
Output Voltage: 18V, 3A/ 18V, 1.5A/ 15V, 1.5A/ 12V, 1A



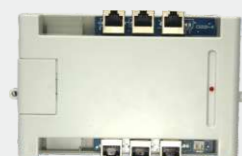
### LK220

Unlocking Connector  
Connected with outdoor station and E-lock  
Working Voltage : 15V  
Working temperature : -25°C~65°C  
Installation : surface mounted  
Dimension : 160x105x36(mm)



### SP28

DIN Rail Power Supply  
Input Voltage: 100V-240V  
Output Voltage: 15V, 4A / 12V,5A / 18V, 3A / 30V,2A / 10V, 6A



### NK220

Network Connector  
Working Voltage : 15V  
Working temperature : -25°C~65°C  
Installation : surface mounted  
Dimension : 160x105x36(mm)



### LP22

Power Box  
Input Voltage: 100V~240V  
Output Voltage: 18V, 3A



### Proximity key tag

Color:black/red/blue/green/yellow



### SP24

Plug Power Supply  
Input Voltage: 100V~240V  
Output Voltage: 18V, 1.5A / 15V, 1.5A/ 12V, 1A



### Proximity Cards

Thick card / thin card

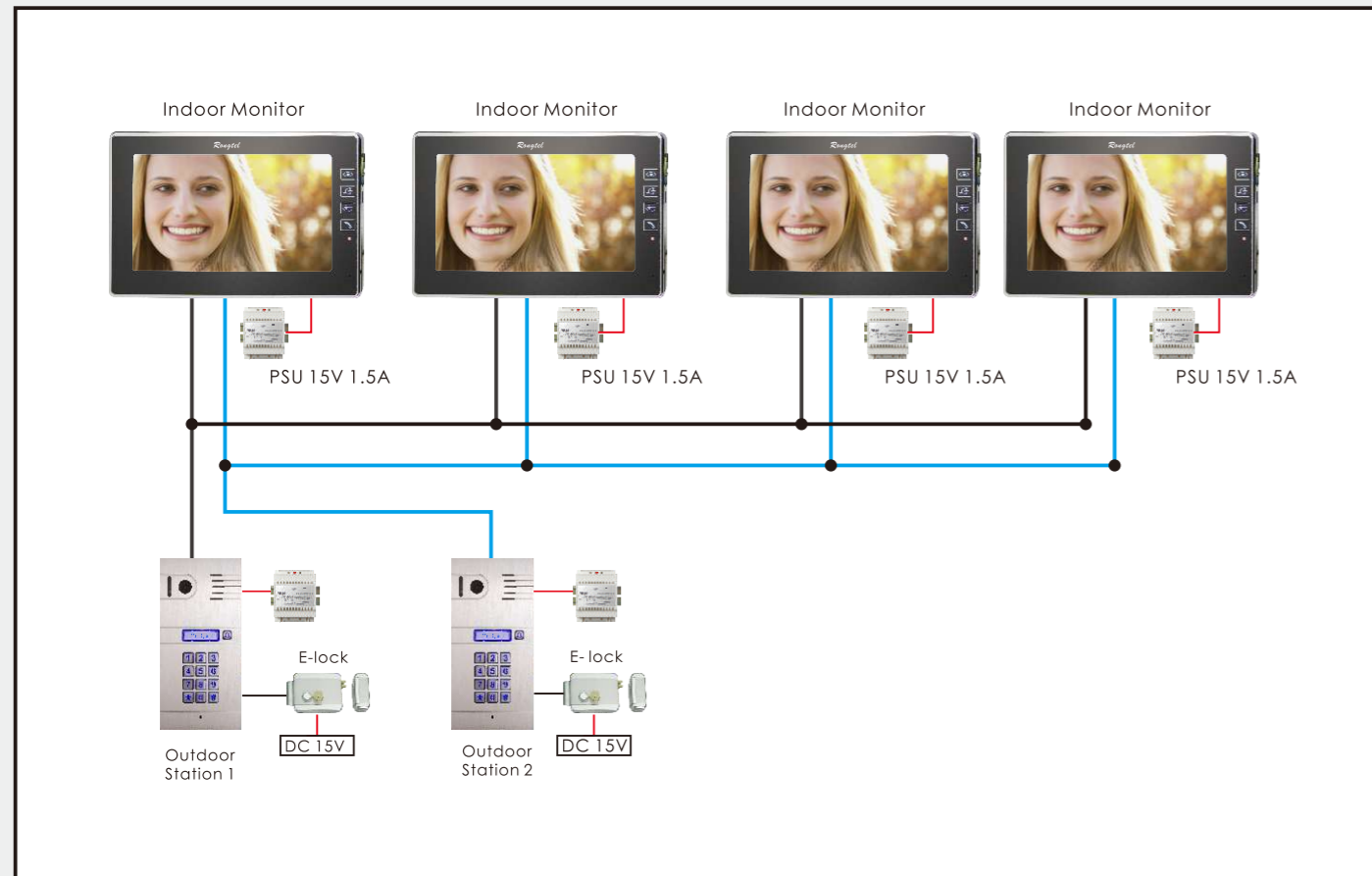


### SP22

Desktop Power Supply  
Input Voltage: 100V~240V  
Output Voltage: 18V, 3A

# 4 Wires Villa System

## SCHEMATIC DIAGRAM:



- Widely used in houses, villas, small offices
- Easy 4 wires connection & DIY
- Flexible configurations:  
Max. 4 indoor monitors and 2 outdoor cameras
- Video intercom, monitoring, door release, call transfer, door bell
- For options:  
Picture memory, video recording

### FEATURES:

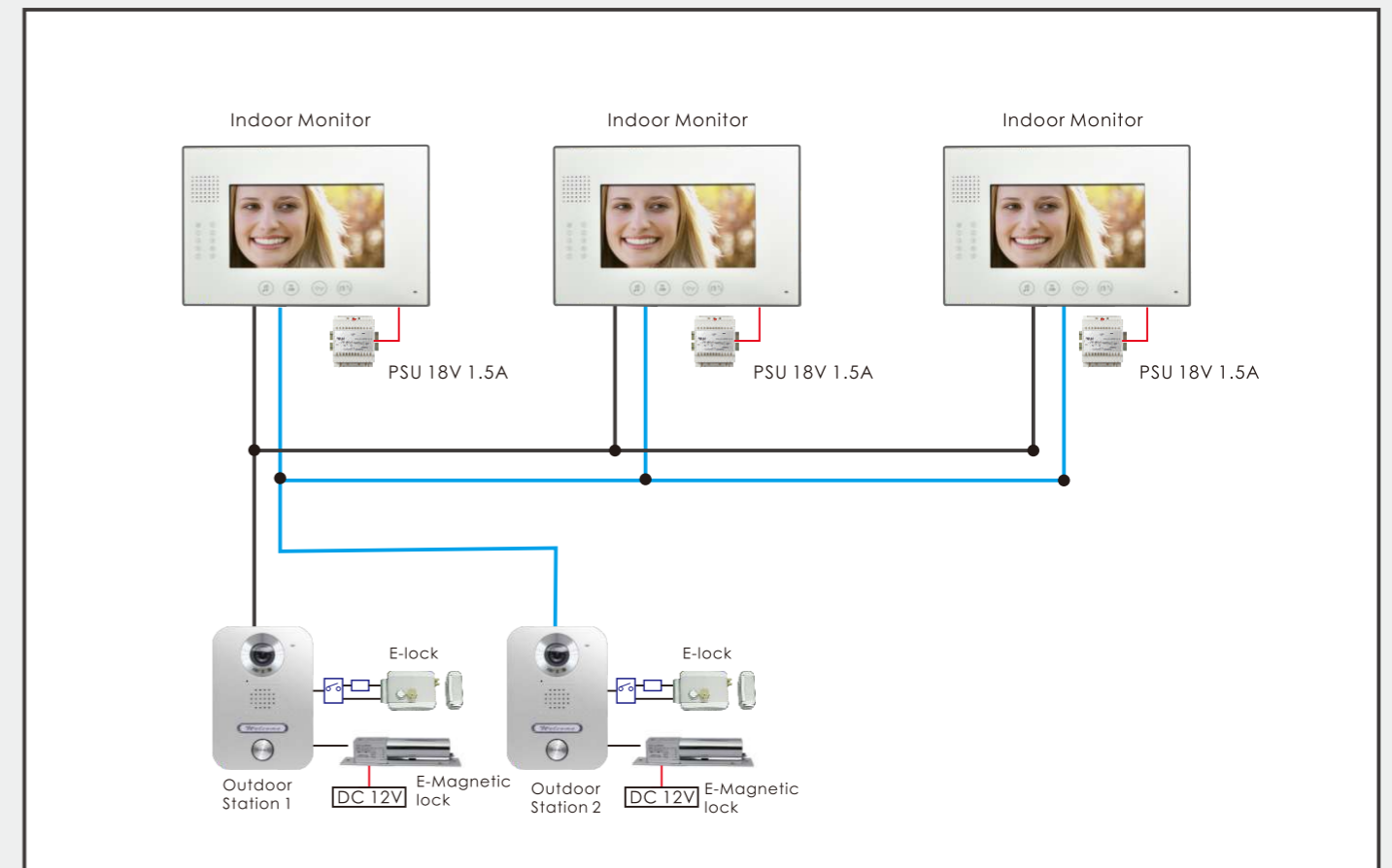
- Outdoor station powered by monitors;
- By video and audio isolated technology, excellent performance;

## CABLE SELECTION:

DESCRIPTION	LEGEND	SPECIFICATION	LENGTH(m)
Cable from Outdoor Unit to Indoor Phone	— Black	No. of Cores : 4 Diameter : 0.5mm <sup>2</sup>	L≤70
	— Blue	No. of Cores : 4 Diameter : 0.75 mm <sup>2</sup>	L≤100

# 2 Wires Villa System

## SCHEMATIC DIAGRAM:



- Flexible configurations  
Support max. 3 indoor monitors and 2 outdoor stations
- Video intercom, monitoring, remote door release
- Suitable for villas
- Easy installation & DIY

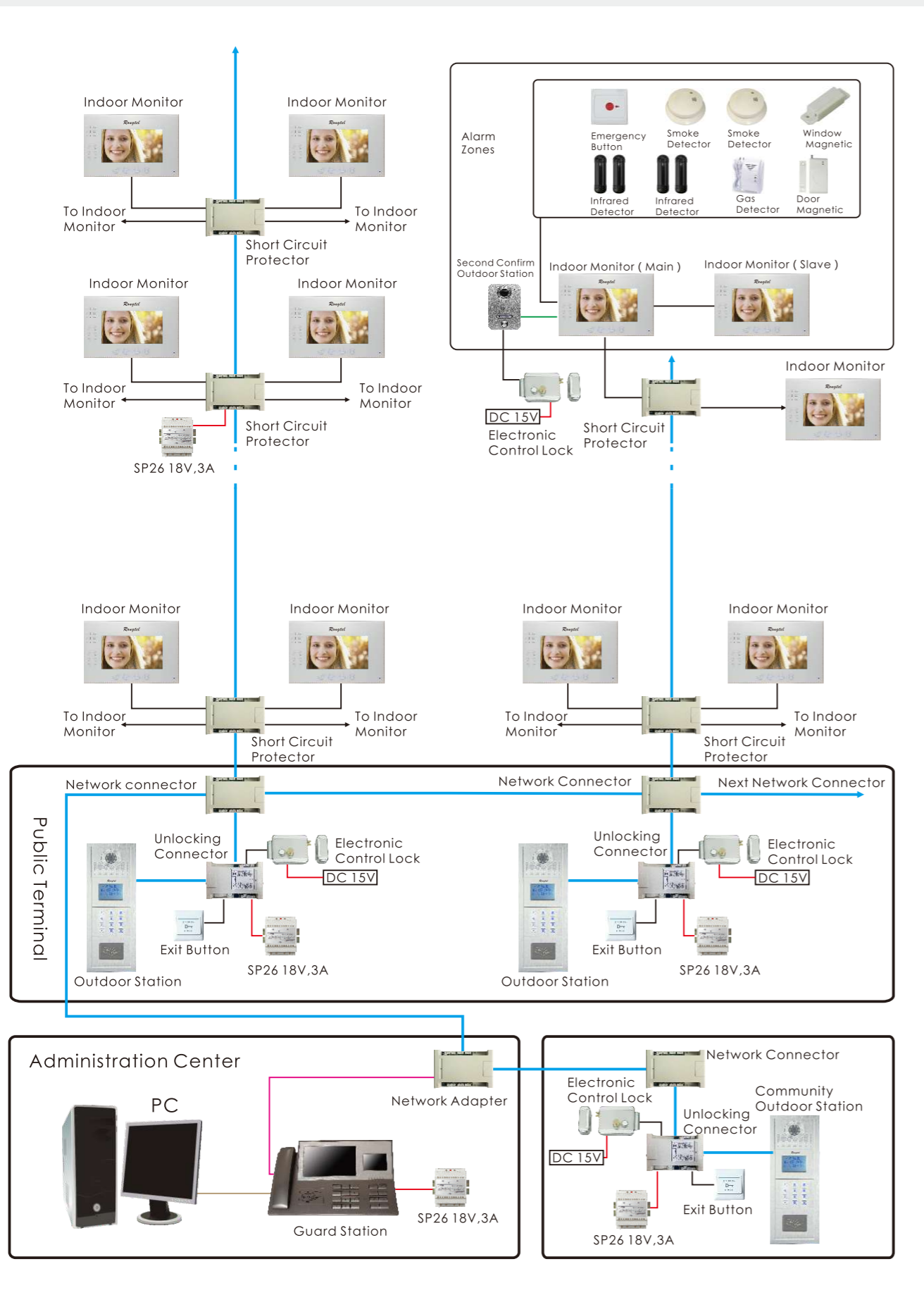
### FEATURES:

- Use 2-core wire to connect between the outdoor station and indoor monitor;
- Unlock two door locks;
- Non-polarity & DIY;
- Outdoor station powered by monitors;
- Easy-to-install and save cable.

## CABLE SELECTION:

DESCRIPTION	LEGEND	SPECIFICATION	LENGTH(m)
Cable from Outdoor Camera to farthest Indoor Phone	— Black	No. of Cores : 2 Diameter : 0.5mm <sup>2</sup>	L≤70
	— Blue	No. of Cores : 2 Diameter : 0.75 mm <sup>2</sup>	L≤100

# Cat5 One Cable System



# CABLE SELECTION

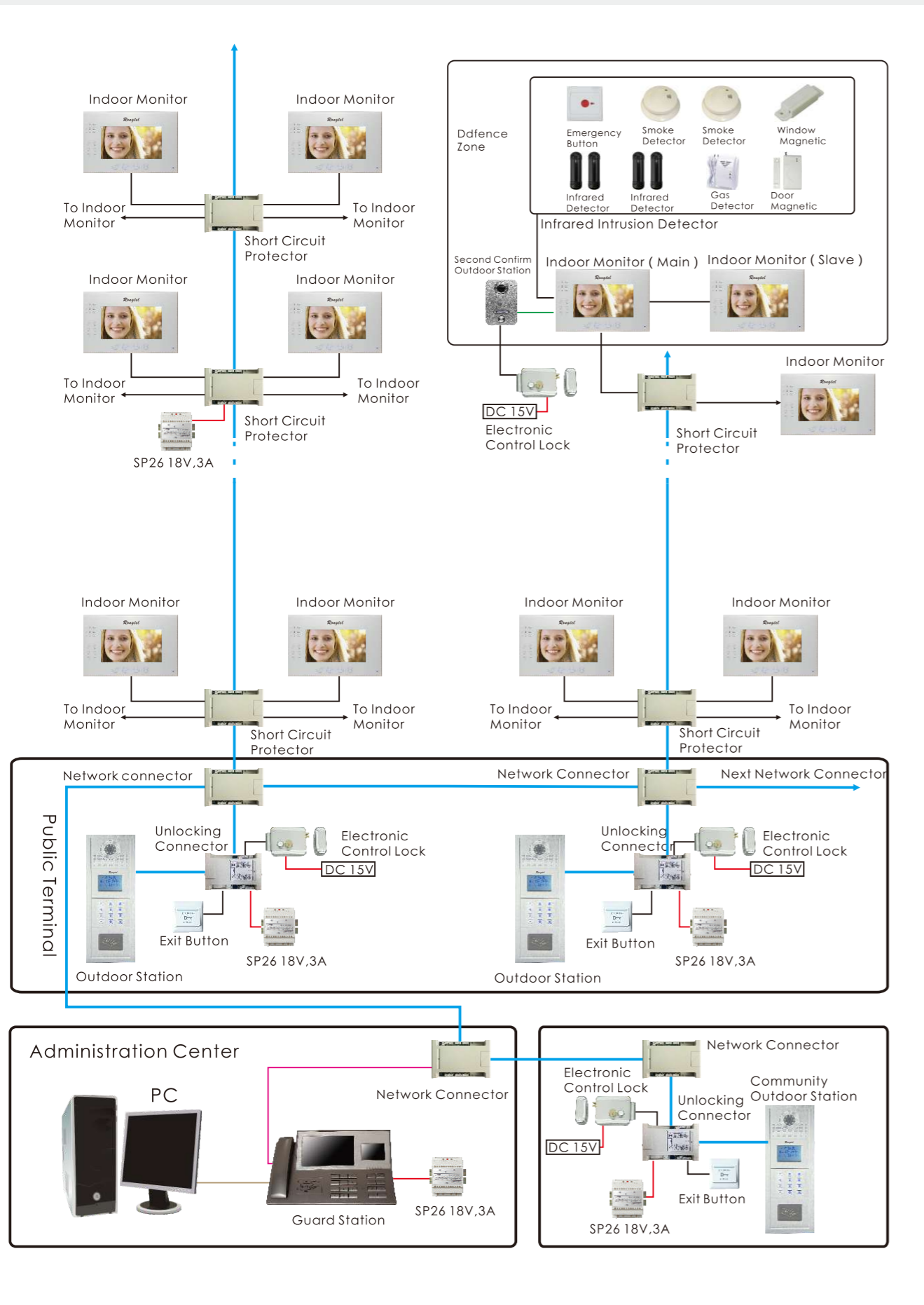
Devices	Wires	Description		
<b>Wires for Indoor Part 1</b>				
Short Circuit Protector	—	Indoor Monitor	UTP5E	Video / Signal / Audio / Power Supply
Indoor Monitor	—	Indoor Monitor	UTP5E	Video / Signal / Audio / Power Supply
<b>Wires for Indoor Part 2 (connect to second confirm outdoor station)</b>				
Short Circuit Protector	—	Indoor Monitor	UTP5E	Video / Signal / Audio / Power Supply
Indoor Monitor	—	Second Confirm Outdoor Station	RVV4	Video / Signal / Audio / Power Supply
Second Confirm Outdoor Station	—	Electric Control Lock	RVV2	Control
Indoor Monitor	—	Indoor Monitor	UTP5E	Video / Signal / Audio / Power Supply
<b>Main Wires for Inside Building</b>				
Network Connector	—	Short Circuit Protector	UTP5E	Video / Signal / Audio / Power Supply
Short Circuit Protector	—	The Last Short Circuit Protector	UTP5E	Video / Signal / Audio / Power Supply
<b>Wires for Outdoor Part</b>				
Network Connector	—	Unlocking Connector	UTP5E	Video / Signal / Audio / Power Supply
Unlocking Connector	—	Outdoor Station	UTP5E	Talk / Video / Signal / Audio / Power Supply
Unlocking Connector	—	Electric Lock	RVV2	Control
Unlocking Connector	—	Exit Button	RVV2	Control
<b>Wires for Network Part</b>				
Network Connector	—	Network Adapter	RVV4+SYV75	Video / Signal / Audio
Network Adapter	—	Guard Station	RVV4+SYV75	Video / Signal / Audio
Guard Station	—	PC	USB	Signal / Audio
<b>Wires for Power Supply</b>				
DC Power Output	—	Devices	RVV2	Power Supply

Note: All these statics are for reference.

## Configuration of Power Supply

	Devices	Power	Configuration
Indoor Part	Short Circuit Protector+Indoor Monitor	SP26(18V,3A)	1 SP26 for 8 indoor monitors
	Short Circuit Protector+Indoor Monitor +Second-confirmed Outdoor Station	SP26(18V,3A)	1 SP26 for 8 indoor monitors & Second-confirmed Outdoor Stations
Outdoor Part	Unlocking Connector+Outdoor Station +Network Connector	SP26(18V,3A)	1 Sp26 for 1 outdoor station and 1 unlocking Connector
Network Part	Guard Station+Network Connector	SP26(18V,3A)	1 SP26 for 1 guard station and 1 unlocking Connector

# 4+2 Wires Building System



# CABLE SELECTION

Devices	Wires	Description
Wires for Indoor Part		
Short Circuit Protector	—	Indoor Monitor
Indoor Monitor	—	Indoor Monitor

## Wires for Indoor Part-(Connect to outdoor station)

Short Circuit Protector	—	Indoor Monitor
Indoor Monitor	—	Second Confirm Outdoor Station
Second Confirm Outdoor Station	—	Electric Control Lock
Indoor Monitor	—	Indoor Monitor

## Main Wires for Indoor Part

Network Connector	—	Short Circuit Protector
Short Circuit Protector	—	The Last Short Circuit Protector

## Wires for Outdoor Part

Network Connector	—	Unlocking Connector
Unlocking Connector	—	Outdoor Station
Unlocking Connector	—	Electric Control Lock
Unlocking Connector	—	Exit Button

## Wires for Network Part

Network Connector	—	Network Adapter
Network Adapter	—	Guard Station
Guard Station	—	PC

## Wires for Power Supply

DC Power Output	—	Devices
-----------------	---	---------

Note: All these statics are for reference.

## Configuration of Power Supply

	Devices	Power	Configuration
Indoor Part	Short Circuit Protector+Indoor Monitor	SP26(18V,3A)	1 SP26 for 12 indoor monitors
	Short Circuit Protector+Indoor Monitor +Second Confirm Outdoor Station	SP26(18V,3A)	1 SP26 for 12 indoor monitors
Outdoor Part	Unlocking Connector+Outdoor Station +Network Connector	SP26(18V,3A)	1 Sp26 for 1 outdoor station and 1 unlocking Connector
Network Part	Guard Station+Network Connector	SP26(18V,3A)	1 SP26 for 1 guard station and 1 unlocking Connector